

# PRODUCT LIST

SAI Stone is Victoria's trusted wholesale supplier of natural stone products and solutions.

Established in 2005, SAI Stone's premium stone products can now be found at leading brick, paver and tile stores all across Australia's East Coast.

2024



# CONTENTS.

01

Stone Range

---

02

Bluestone

*Blueocean Sawn / Blueocean Honed / Antline / Lux Black*

---

10

Marble

*Frozen Blue / Grey Apricot / Antarctica White / Silver Ash*

---

11

Granite

*Zen Grey / Ash Grey / Ken Black / Sesame White / New Grey*

---

12

Travertine

*Classic (Tumbled and Unfilled) / Classic (Honed and Filled) / Beige*

---

13

Limestone

*Belgium Blue*

Quartz

*Stormy Grey*

Permeable Ceramic

*Pore Stone*

---

14

Skimmer Lid Kit

---

15

Slab

*Bluestone / Marble / Granite / Limestone / Travertine*

---

17

Cobble

*Bluestone / Marble / Granite / Limestone*

---

18

Crazy Paving

*Bluestone / Travertine / Quartz*

---

19

Organic Stepper

*Blueocean Sawn / Blueocean Honed / Honey Comb*

---

20

Wall Cladding

*Bluestone / Herringbone Pattern / 12mm & 15mm Thick Paving*

---

21

Pattern

*(Pattern Series Installation Guide)*

---

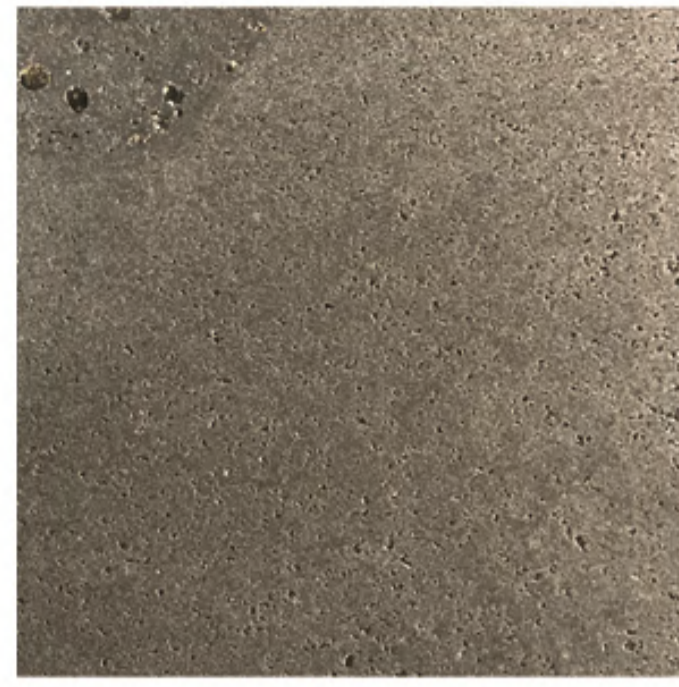
# Stone Range

## Bluestone

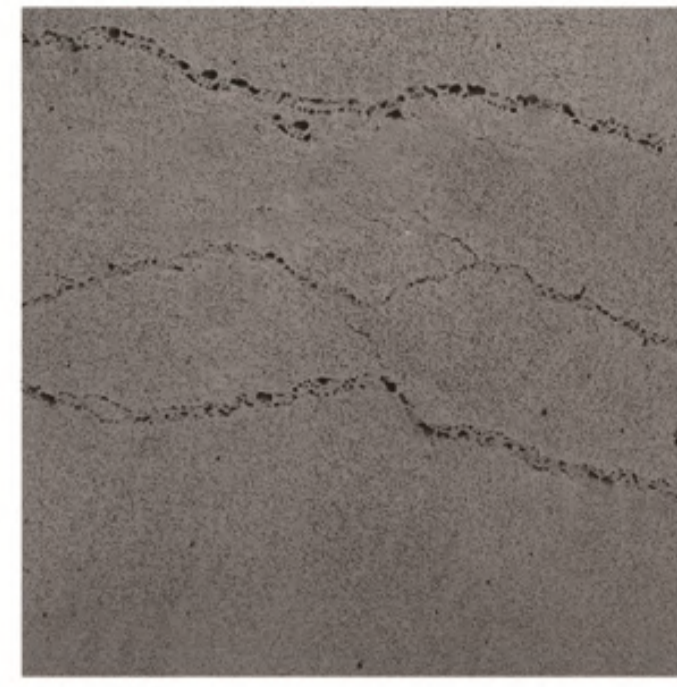
---



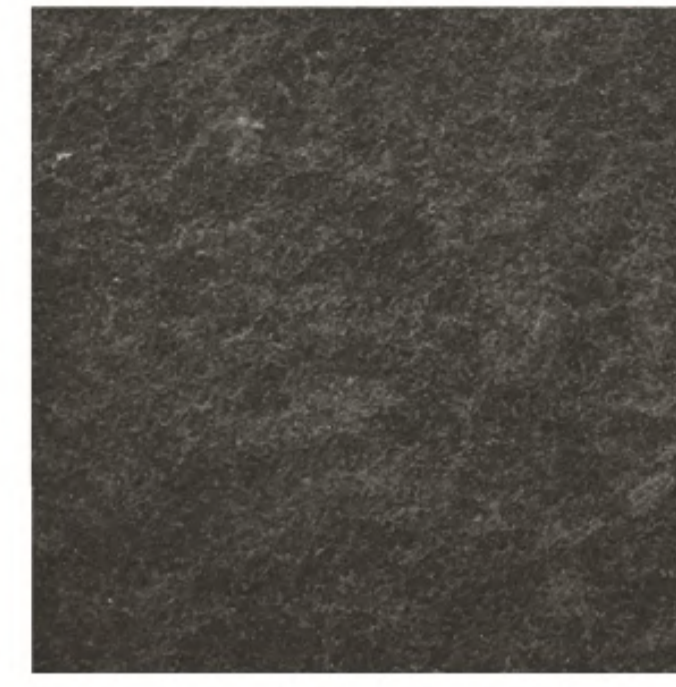
Blue Ocean, Sawn



Blue Ocean, Honed



Antline, Sawn



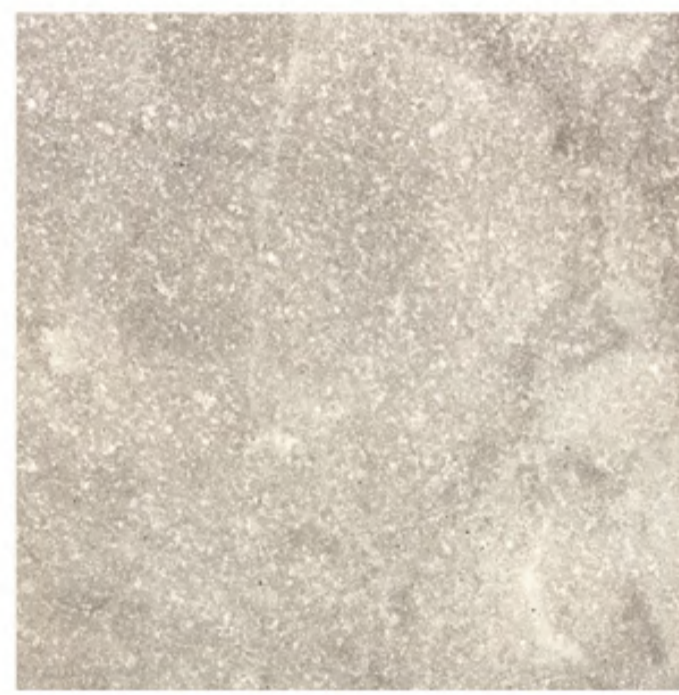
Lux Black, Flamed

## Marble

---



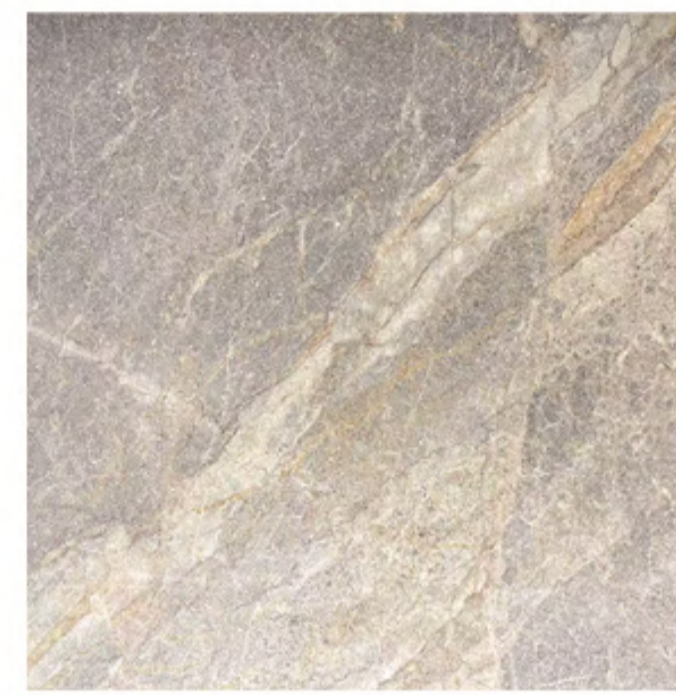
Antarctica, Sandblasted



Grey Apricot, Sandblasted



Frozen Blue, Sandblasted



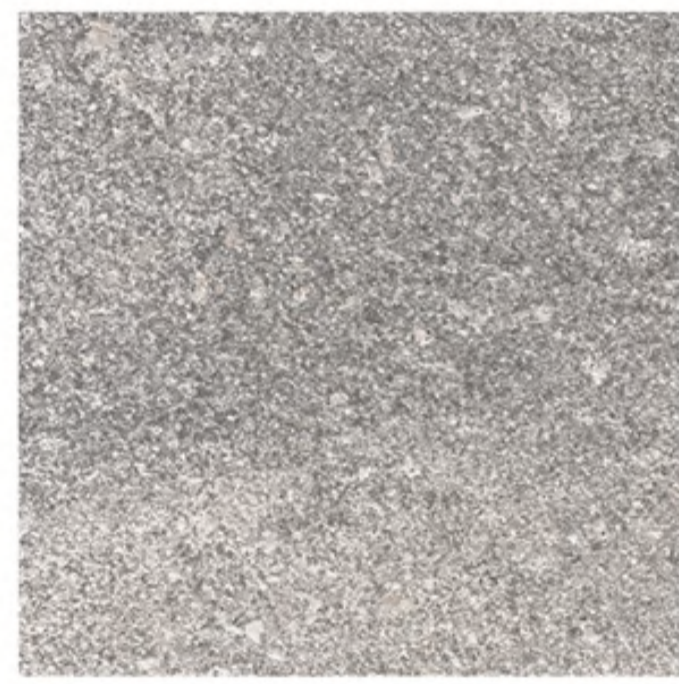
Silver Ash, Sandblasted

## Granite

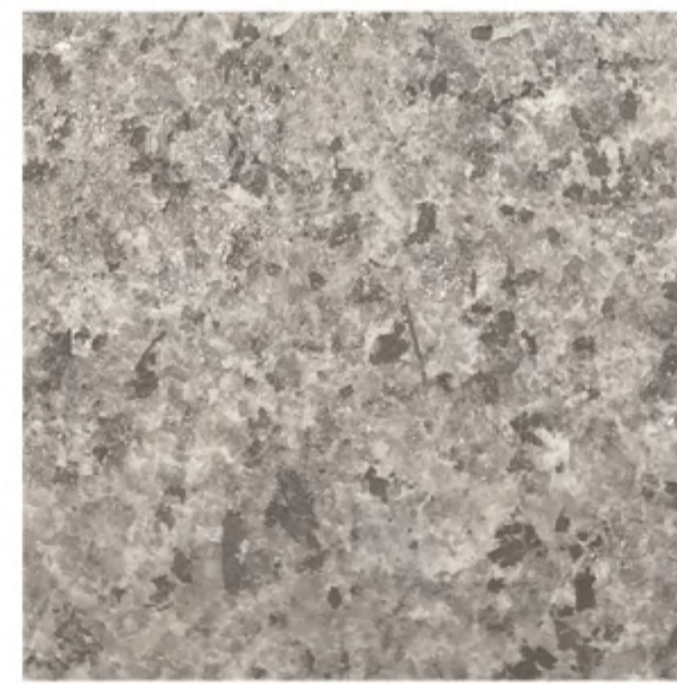
---



Sesame White, Flamed



Zen Grey, Flamed



New Grey, Flamed



Ash Grey, Flamed



Ken Black, Flamed

## Travertine

---



Classic Travertine,  
Honed and Filled



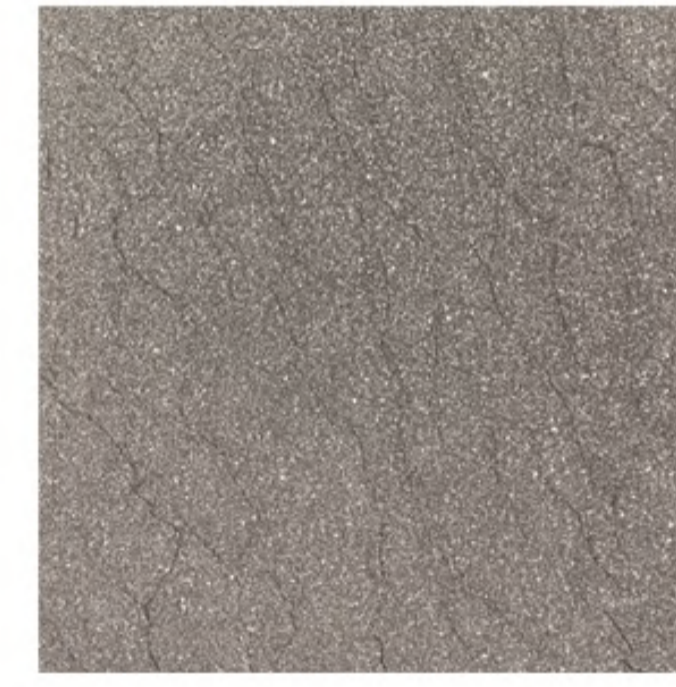
Classic Travertine,  
Tumbled and Unfilled



Beige Travertine,  
Tumbled and Unfilled

## Limestone

---



Belgium Blue,  
Sandblasted

## Pore Stone

---



Permeable Ceramic

# Bluestone: Blueocean Sawn

Paving, Slip Rating P5

## Paving



Dimension (mm)	UoM	kg/UoM	UoM/pallet	kg/pallet	Note
600x300x12	SQM	32	29.88	1000	
800x400x15	SQM	32	20.80	700	While Stock Last
300x100x20	SQM	54	25.00	1400	Herringbone Pattern
400x400x20	SQM	54	16.00	900	
500x500x20	SQM	54	25.00	1400	
600x300x20	SQM	54	18.00	1000	
600x400x20	SQM	54	24.00	1300	
600x600x20	SQM	54	18.00	1000	
800x400x20	SQM	54	16.00	900	
800x800x20	SQM	54	25.60	1400	
995x495x20	SQM	54	24.63	1400	
1000x1000x20	SQM	54	20.00	1100	
1005x500x20	SQM	54	25.12	1400	
1200x600x20	SQM	54	25.20	1400	
400x400x30	SQM	81	10.88	900	
600x300x30	SQM	81	17.82	1500	
600x600x30	SQM	81	12.24	1000	
800x400x30	SQM	81	10.88	900	
495x495x40	SQM	108	12.25	1400	
995x495x40	SQM	108	11.82	1300	Also available in Heavy Sandblasted finish
300-400x200x60	SQM	165	7.20	1200	4 sides split, top & bottom sawn

## Crazy Paving



Dimension (mm)	UoM	kg/UoM	UoM/pallet	kg/pallet	Note
Random Shape x20	SQM	54	25.00	1400	1 m2 per layer

## Patterns



Dimension (mm)	UoM	kg/UoM	UoM/pallet	kg/pallet	Note
300x100x20	SQM	54	25.00	1400	Herringbone Pattern
595x595 / 895x595 / 595x295 / 292x295x20	SQM	54	25.44	1400	Ashlar Pattern, sold by m2

\*Refer to the last page for patterns installation instructions.

## Steppers

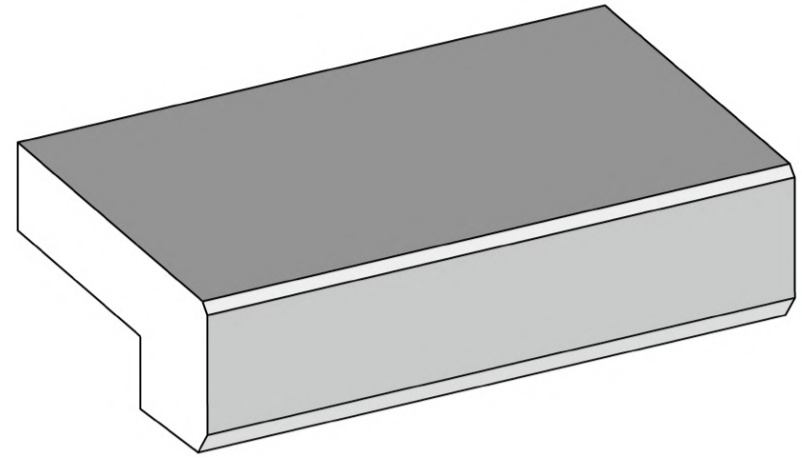


Dimension (mm)	UoM	kg/UoM	UoM/pallet	kg/pallet	Note
500-700x20	PC	20	50.00	1000	
300-500x30	PC	13	66.00	900	
500-700x30	PC	30	34.00	1100	
700-900x30	PC	53	34.00	1900	

# Bluestone: Blueocean Sawn

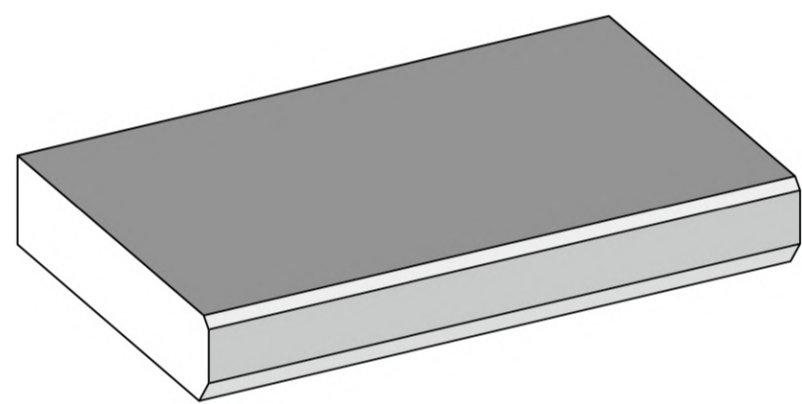
Coping, Slip Rating P5

## Dropface



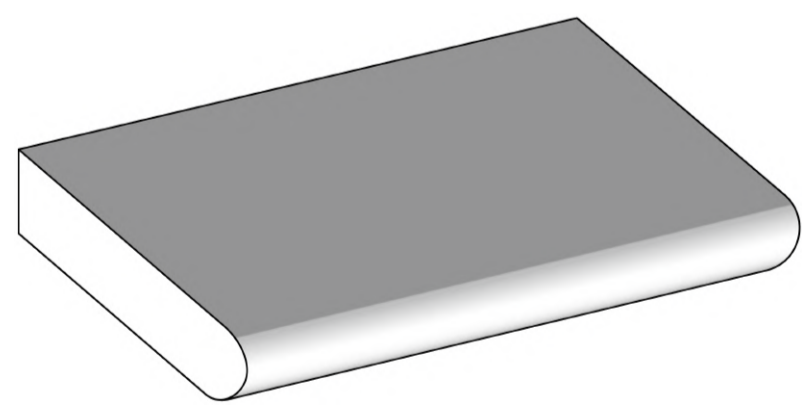
Dimension (mm)	UoM	kg/UoM	UoM/pallet	kg/pallet	Note
600x400x20/40	PC	15	72.00	1100	
1005x450x20/40	PC	25	32.00	800	Clearance
800x400x20/50	PC	18	32.00	600	While Stock Last
600x400x20/60	PC	14	48.00	700	
800x400x20/60	PC	18	32.00	600	
500x500x30/80	PC	22	40.00	900	While Stock Last
600x350x30/80	PC	22	40.00	900	While Stock Last
800x400x30/80	PC	20	20.00	400	
1005x500x30/80	PC	42	20.00	900	While Stock Last

## Bevelled Edge



Dimension (mm)	UoM	kg/UoM	UoM/pallet	kg/pallet	Note
600x300x30	PC	15	99.00	1500	
600x350x30	PC	17	68.00	1200	
800x400x30	PC	27	35.00	1000	
1005x350x30	PC	30	35.00	1100	
1005x500x30	PC	41	34.00	1400	
800x400x40	PC	36	25.00	900	While Stock Last

## Bullnose



Dimension (mm)	UoM	kg/UoM	UoM/pallet	kg/pallet	Note
600x300x20	PC	10	85.00	900	
600x350x30	PC	17	68.00	1200	
1005x350x30	PC	30	35.00	1100	

# Bluestone: Blueocean Honed

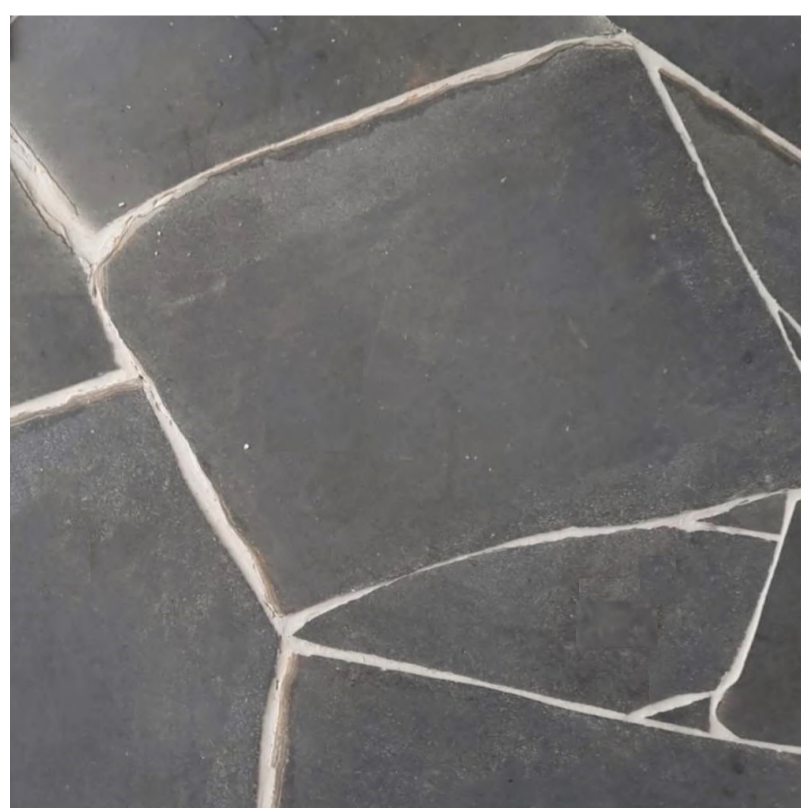
Paving, Slip Rating P3

## Paving



Dimension (mm)	UoM	kg/UoM	UoM/pallet	kg/pallet	Note
600x300x12	SQM	32	29.88	1000	
600x600x12	SQM	32	29.88	1000	
800x400x12	SQM	32	25.60	900	While Stock Last
800x400x15	SQM	32	20.80	700	While Stock Last
300x100x20	SQM	54	25.00	1400	Herringbone Pattern
600x200x20	SQM	54	18.00	1000	Clearance
600x300x20	SQM	54	18.00	1000	
600x400x20	SQM	54	24.00	1300	
600x600x20	SQM	54	18.00	1000	
800x400x20	SQM	54	16.00	900	
800x800x20	SQM	54	25.60	1400	While Stock Last
1005x500x20	SQM	54	25.12	1400	
1200x600x20	SQM	54	25.20	1400	
500x500x30	SQM	81	25.00	2100	While Stock Last

## Crazy Paving



Dimension (mm)	UoM	kg/UoM	UoM/pallet	kg/pallet	Note
Random Shape x20	SQM	54	25.00	1400	1 m2 per layer

## Patterns



Dimension (mm)	UoM	kg/UoM	UoM/pallet	kg/pallet	Note
300x100x20	SQM	54	25.00	1400	Herringbone Pattern
595x595 / 895x595 / 595x295 / 292x295x20	SQM	54	25.44	1400	Ashlar Pattern, sold by m2, While Stock Last

\*Refer to the last page for patterns installation instructions.

## Steppers



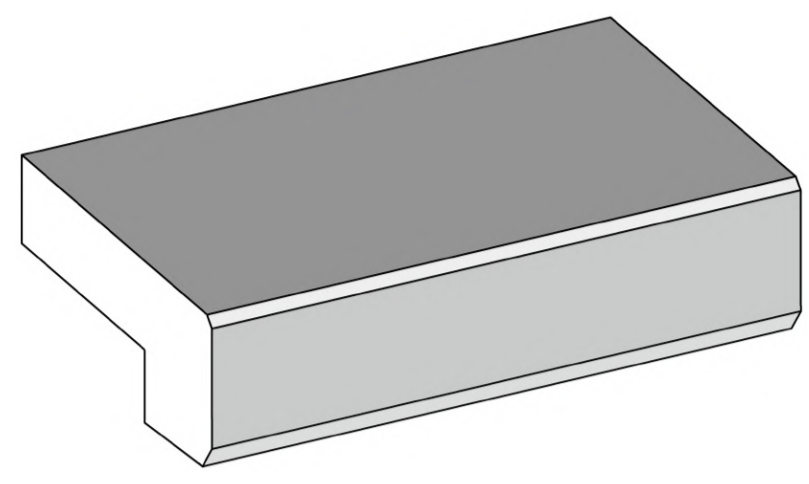
Dimension (mm)	UoM	kg/UoM	UoM/pallet	kg/pallet	Note
500-700x30	PC	30	34.00	1100	



# Bluestone: Blueocean Honed

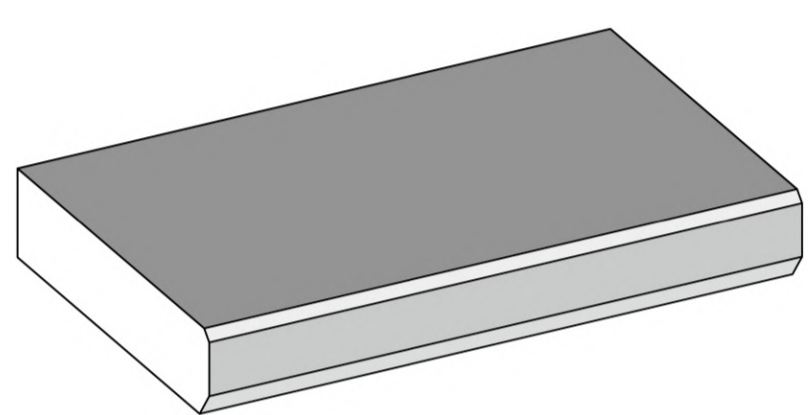
*Coping, Slip Rating P5*

## Dropface



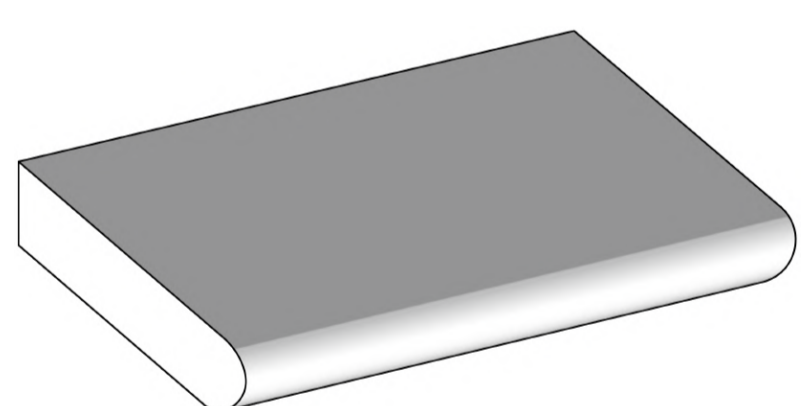
Dimension (mm)	UoM	kg/UoM	UoM/pallet	kg/pallet	Note
600x400x20/40	PC	15	72.00	1100	
600x400x20/60	PC	15	48.00	800	
1005x500x30/80	PC	42	20.00	900	While Stock Last

## Bevelled Edge



Dimension (mm)	UoM	kg/UoM	UoM/pallet	kg/pallet	Note
500x500x30	PC	20	68.00	1400	While Stock Last
600x300x30	PC	15	68.00	1100	
600x350x30	PC	17	68.00	1200	
600x400x30	PC	20	68.00	1400	
1200x400x30	PC	40	30.00	1200	While Stock Last
800x400x40	PC	36	25.00	900	While Stock Last

## Bullnose

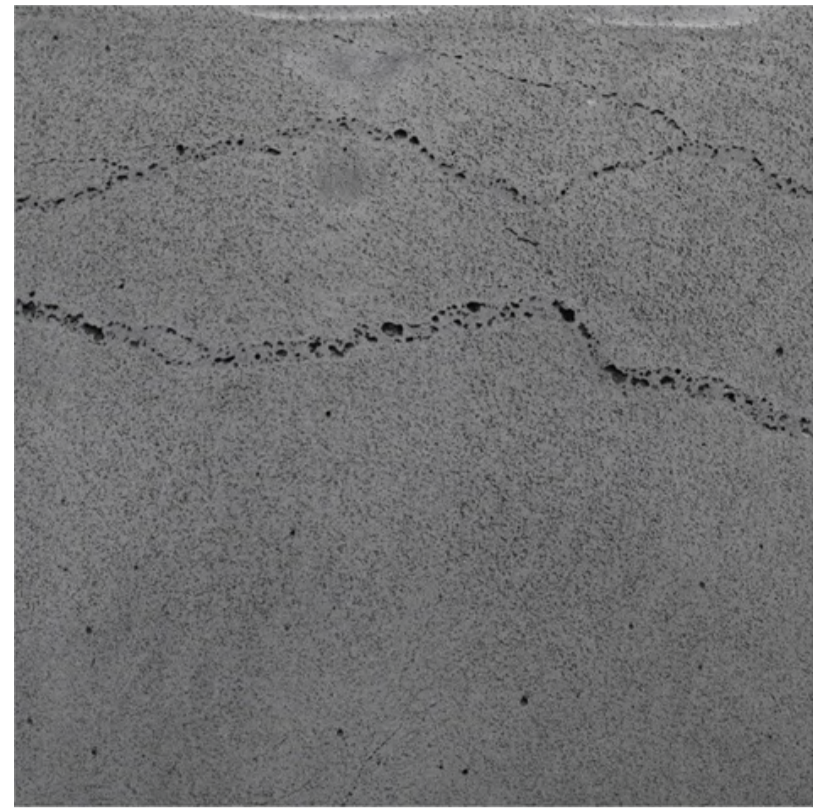


Dimension (mm)	UoM	kg/UoM	UoM/pallet	kg/pallet	Note
600x300x20	PC	10	85.00	900	
600x350x30	PC	17	68.00	1200	
1005x350x30	PC	30	35.00	1100	

# Bluestone: Blueocean Antline

Sawn, Slip Rating P5

## Paving



Dimension (mm)	UoM	kg/UoM	UoM/pallet	kg/pallet	Note
600x300x12	SQM	32	29.88	1000	While Stock Last
600x300x20	SQM	54	18.00	1000	While Stock Last
600x400x20	SQM	54	24.00	1300	
800x400x20	SQM	54	10.88	600	
1005x500x20	SQM	54	25.13	1400	While Stock Last
600x300x30	SQM	88	11.52	1100	Clearance
600x600x30	SQM	81	17.28	1400	While Stock Last
Random Shapex30	SQM	54	20.00	1100	Clearance

## Patterns



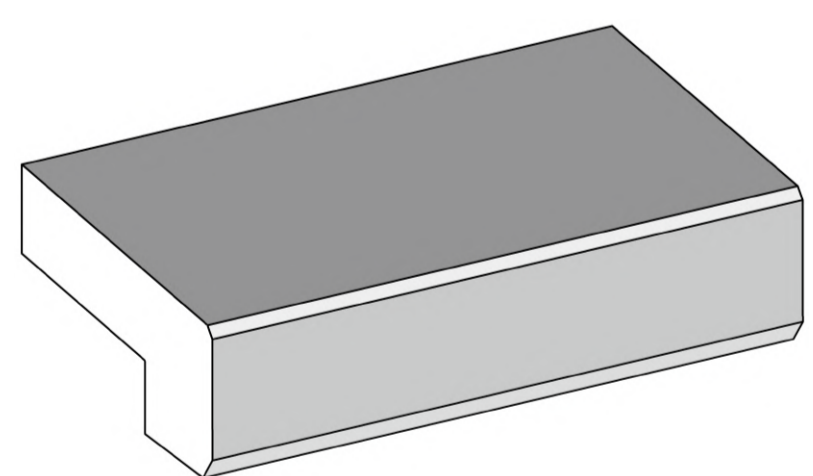
Dimension (mm)	UoM	kg/UoM	UoM/pallet	kg/pallet	Note
600x400 / 400x400 / 400x300x20	SQM	54	25.60	1400	Antline Pattern, Sold by m2

## Crazy Paving



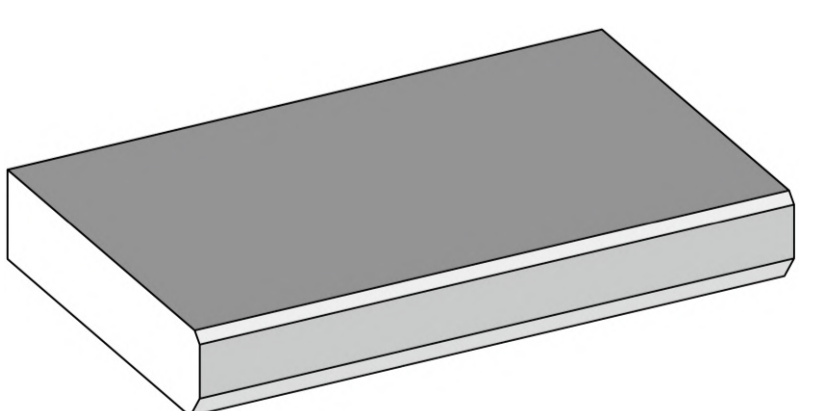
Dimension (mm)	UoM	kg/UoM	UoM/pallet	kg/pallet	Note
Random Shape x30	SQM	54	20.00	1100	Clearance

## Dropface



Dimension (mm)	UoM	kg/UoM	UoM/pallet	kg/pallet	Note
600x400x20/50	PC	16	48.00	800	
800x400x20/50	PC	20	32.00	700	

## Bevelled Edge



Dimension (mm)	UoM	kg/UoM	UoM/pallet	kg/pallet	Note
600x400x30	PC	22	67.00	1500	

# Bluestone: Lux Black

*Flamed, Slip Rating P5*



Type	Dimension (mm)	UoM	kg/UoM	UoM/pallet	kg/pallet	Note
Paving	600x400x20	SQM	54	24.00	1300	While Stock Last
Paving	800x400x20	SQM	54	16.00	900	While Stock Last
Dropface	800x400x20/50	PC	20	34.00	700	While Stock Last
Bevelled	800x400x30	PC	20	34.00	700	While Stock Last

# Bluestone: Extended Range

Wall Cladding / Cobbles / Kerb

## Cladding

Color	Finish	Dimension (mm)	UoM	kg/UoM	UoM/pallet	kg/pallet	Note
Blueocean	All Sides Rockface	Crazy Claddingx20-40	SQM	81	15.00	1300	While Stock Last
Blueocean	Rockface	600/400/200x200x20-45	SQM	54	15.08	900	Mix sizes
Blueocean	Rockface	200x200x20/100	PC	10	200.00	2000	Corner return100mm
Blueocean	Ripple	600x300x20	SQM	54	21.06	1200	



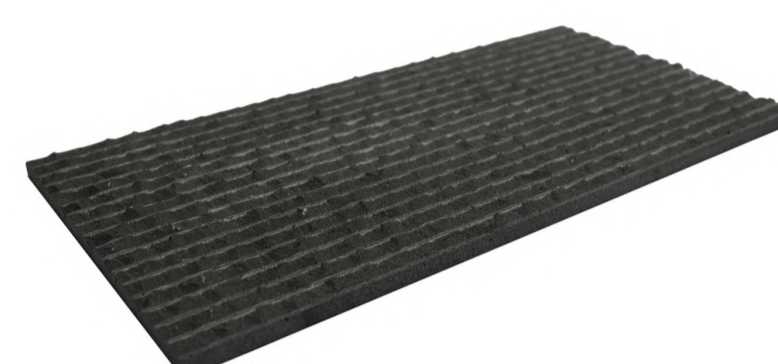
Rockface  
Crazy Cladding



Rockface



Rockface  
Corner Return



Ripple

## Cobbles



Color	Finish	Dimension (mm)	UoM	kg/UoM	UoM/pallet	kg/pallet	Note
Blueocean	Sawn	650x430x20 per sheet	SQM	54	19.57	1100	100x100 cobbles on mesh, While Stock Last
Blueocean	All Sides Rockface	100x100x30-40	SQM	108	10.00	1100	Individual pieces, cobble dark
Blueocean	Tumbled Antline	100x100x30	SQM	81	15.00	1300	Individual pieces, Antline tumbled

## Kerb



Color	Finish	Dimension (mm)	UoM	kg/UoM	UoM/pallet	kg/pallet	Note
Blueocean	Honed	600x100x100	PC	17	50.00	900	Clearance
Blueocean	Sawn	600x100x100	PC	17	50.00	900	Clearance

## Bluestone: Extended Range Cont.

### Pitcher / Organic Table and Seat

#### Pitcher



Finish	Dimension (mm)	UoM	kg/UoM	UoM/pallet	kg/pallet	Note
Sawn	300-400x200x60	SQM	165	7.20	1200	4 sides split, top & bottom sawn

#### Bluestone Table and Seat

Name	Dimension (mm)	UoM	kg/UoM	Note
Bluestone Table Set (6 pcs)	900x900x80mm tabletop, 600x600x600mm base, 400x400x400mm stool	SET	2000	
Bluestone Table	700-900X30 tabletop, 600x20mm base	SET	750	



Bluestone Organic Table Set



Bluestone Table

## Marble : Frozen Blue

Sandblasted, Slip Rating P5



Type	Dimension (mm)	UoM	kg/UoM	UoM/pallet	kg/pallet	Note
Paving	600x400x20	SQM	54	24.00	1300	
Paving	800x400x20	SQM	54	16.00	900	
Dropface	600x400x20/60	PC	15	36.00	600	
Dropface	800x400x20/60	PC	20	24.00	500	
Bevelled	600x400x30	PC	20	68.00	1400	While Stock Last
Bevelled	800x400x30	PC	26	45.00	1200	
Cobbles	100x100x20	SQM	54	18.00	1000	

## Marble : Grey Apricot

Sandblasted, Slip Rate P5



Type	Dimension (mm)	UoM	kg/UoM	UoM/pallet	kg/pallet	Note
Paving	300x75x12	SQM	32	25.00	800	Honed, Herringbone Pattern
Paving	300x100x20	SQM	54	25.00	1400	Herringbone Pattern
Paving	600x400x20	SQM	54	24.00	1300	
Paving	800x400x20	SQM	54	16.00	900	
Dropface	600x400x20/60	PC	15	36.00	600	
Dropface	800x400x20/60	PC	20	24.00	500	
Bevelled	800x400x30	PC	26	45.00	1200	

## Marble : Antarctica White

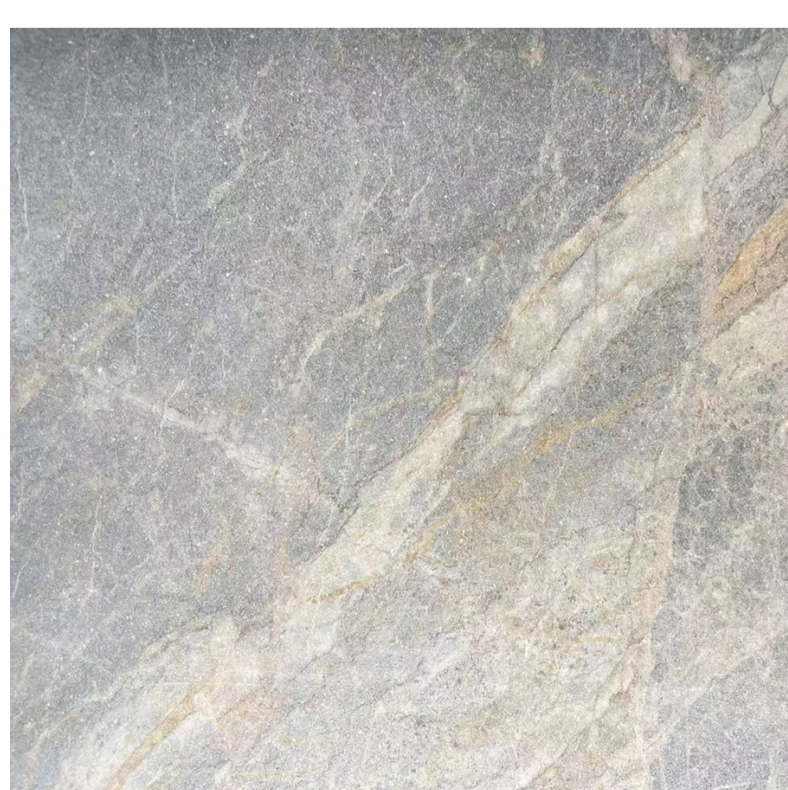
Sandblasted, Slip Rate P5



Type	Dimension (mm)	UoM	kg/UoM	UoM/pallet	kg/pallet	Note
Paving	600x400x20	SQM	54	24.00	1300	
Dropface	600x400x20/60	PC	16	36.00	600	
Bevelled	600x400x30	PC	21	64.00	1400	

## Marble : Silver Ash

Sandblasted, Slip Rate P5



Type	Dimension (mm)	UoM	kg/UoM	UoM/pallet	kg/pallet	Note
Paving	600x400x20	SQM	15	24.00	400	
Dropface	600x400x20/60	PC	15	36.00	600	
Bevelled	600x400x30	PC	20	64.00	1300	
Cobbles	100x100x20	SQM	54	18.00	1000	

## Granite: Zen Grey

Flamed, Slip Rating P5



Type	Dimension (mm)	UoM	kg/UoM	UoM/pallet	kg/pallet	Note
Paving	600x400x20	SQM	54	24.00	1300	
Dropface	600x400x20/60	PC	15	48.00	800	
Bevelled	600x400x30	PC	15	68.00	1100	

## Granite: Ash Grey

Flamed, Slip Rating P5



Type	Dimension (mm)	UoM	kg/UoM	UoM/pallet	kg/pallet	Note
Paving	600x400x20	SQM	54	24.00	1300	
Dropface	600x400x20/60	PC	20	48.00	1000	
Bevelled	600x400x30	PC	22	68.00	1500	
Cobbles	540x490x20	SQM	54	29.77	1700	90x90 cobbles on mesh. Top flamed, 4 sides split, bottom sawn and glued to mesh.

## Granite: Ken Black

Flamed, Slip Rating P5



Type	Dimension (mm)	UoM	kg/UoM	UoM/pallet	kg/pallet	Note
Paving	600x400x20	SQM	54	24.00	1300	
Dropface	600x400x20/60	PC	15	48.00	800	
Bevelled	600x400x30	PC	20	68.00	1400	

## Granite: Sesame White

Flamed, Slip Rating P5



Type	Dimension (mm)	UoM	kg/UoM	UoM/pallet	kg/pallet	Note
Paving	600x400x20	SQM	54	24.00	1300	
Dropface	600x400x20/60	PC	15	48.00	800	
Bevelled	600x400x30	PC	20	68.00	1400	
Bevelled	1000x500x30	PC	42	34.00	1500	While Stock Last

## Granite: New Grey

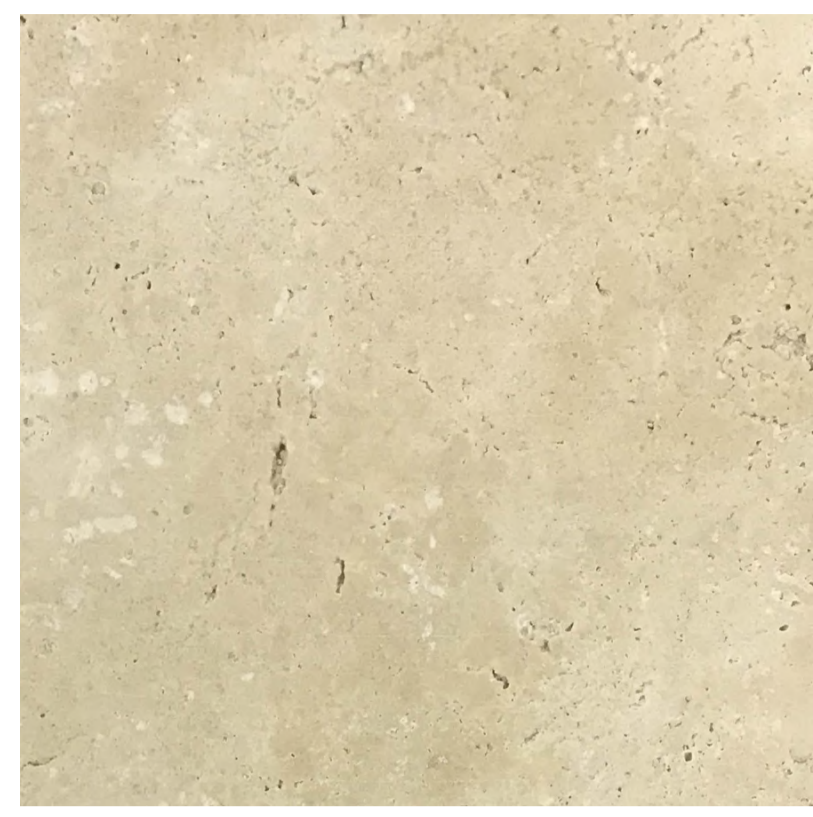
Flamed, Slip Rating P5



Type	Dimension (mm)	UoM	kg/UoM	UoM/pallet	kg/pallet	Note
Paving	600x400x20	SQM	54	24.00	1300	
Dropface	600x400x20/60	PC	15	48.00	800	
Bevelled	600x400x30	PC	20	68.00	1400	
Bevelled	1000x500x30	PC	42	34.00	1500	While Stock Last

## Travertine: Classic

*Tumbled and Unfilled, Slip Rating P4*



Type	Dimension (mm)	UoM	kg/UoM	UoM/pallet	kg/pallet	Note
Paving	610x406x12	SQM	32	39.63	1300	
Paving	610x610x12	SQM	32	39.63	1300	
Paving	810x406x20	SQM	54	27.91	1600	While Stock Last
Paving	610x406x30	SQM	81	16.35	1400	Tumbled edge
Dropface	610x406x20/60	PC	15	28.00	500	
Dropface	810x406x20/60	PC	20	24.00	500	While Stock Last
Coping	500x500x30	PC	20	48.00	1000	Tumbled edge, While Stock Last
Coping	610x406x30	PC	20	66.00	1400	Tumbled edge

## Travertine: Classic

*Honed and Filled, Slip Rating P3*



Type	Dimension (mm)	UoM	kg/UoM	UoM/pallet	kg/pallet	Note
Paving	610x305x12	SQM	32	29.77	1000	
Paving	610x610x12	SQM	32	29.77	1000	While Stock Last

## Travertine: Beige

*Tumbled and Unfilled, Slip Rating P4*

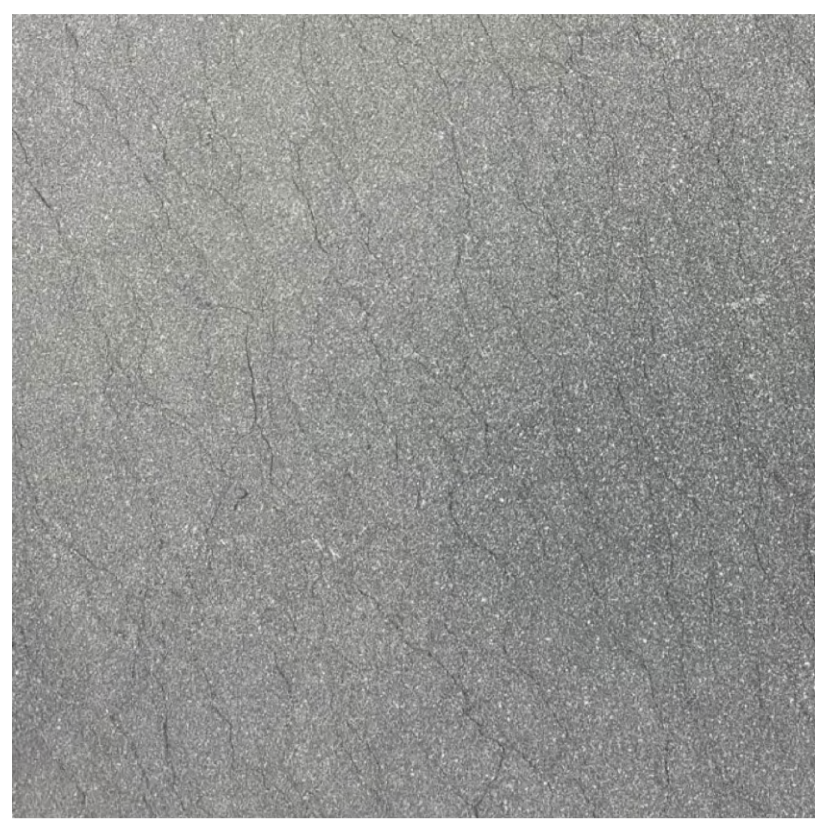


Type	Dimension (mm)	UoM	kg/UoM	UoM/pallet	kg/pallet	Note
Paving	610x406x12	SQM	32	39.63	1300	
Paving	Random Shapex20	SQM	54	22.00	1200	
Paving	610x406x30	SQM	81	16.35	1400	Tumbled edge
French Pattern	610x406 / 406x406 / 406x203 / 203x203x12	SQM	32	38.66	1300	Sold by set, 0.744m2/set Installation guide available
Dropface	610x406x20/60	PC	15	28.00	500	
Coping	610x406x30	PC	20	66.00	1400	Tumbled edge



## Limestone: Belgium Blue

Sandblasted, Slip Rating P5



Type	Dimension (mm)	UoM	kg/UoM	UoM/pallet	kg/pallet	Note
Paving	600x400x20	SQM	54	24.00	1300	
Dropface	600x400x20/60	PC	15	36.00	600	
Bevelled	600x400x30	PC	20	64.00	1300	
Cobbles	100x100x20	SQM	54	18.00	1000	
Cobbles	200x100x30	SQM	81	12.30	1000	While Stock Last

## Quartz: Stormy Grey

Natural Split, Slip Rating P5



Type	Dimension (mm)	UoM	kg/UoM	UoM/pallet	kg/pallet	Note
Paving	Random Shapex20	SQM	54	25.00	1400	Crazy Paving



Type	Dimension (mm)	UoM	kg/UoM	UoM/pallet	kg/pallet	Note
Paving	Random Length x 30-50x30-50	SQM	89	20.00	1800	Fileti Paving

## Permeable Ceramic: Pore Stone

Slip Rating P5



Type	Dimension (mm)	UoM	kg/UoM	UoM/pallet	kg/pallet	Note
Paving	400x200x50	SQM	112	12.80	1500	Colour Available: Grey
Paving	600x300x55	SQM	168	10.80	1900	While Stock Last

## Skimmer Lid Kit



Stone is not included

### SAI Skimmer Lid Kit (Stainless Steel) 342x342x20mm

**Dimension** Frame Size 342 x 342mm  
Inlay Thickness: 15 ~ 22mm

**Kit Content** - Stainless Steel Outer Frame  
- Stainless Steel Inlay Lid  
- Height Adjuster  
- Stainless Steel Safety Key

### AQUEA Skimmer Lid Kit (Polymers) 342x342x20mm



**Dimension** Frame Size 342 x 342mm  
Inlay Thickness: 15 ~ 22mm

**Kit Content** - Polymers Outer Frame  
- Polymers Lid Assembly  
- Spacer Plate  
- Stainless Steel Lid Key  
- Adhesive & Nozzle  
- Grouting Plugs

# Slab Series

## Bluestone

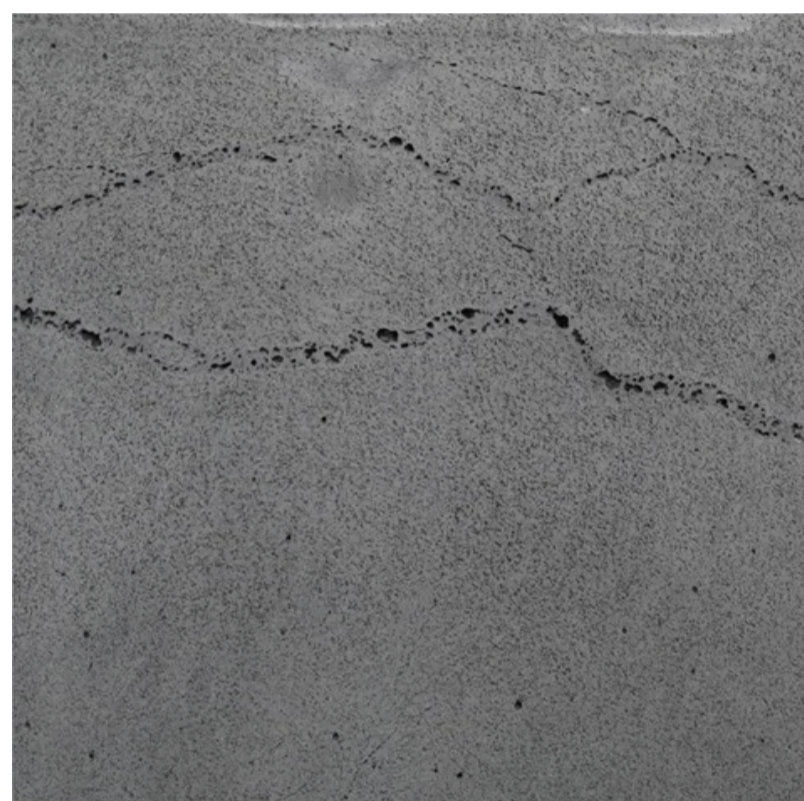
Color	Finish	Dimension (mm)	UoM	Note
Blueocean	One Side Sawn & One Side Honed	1600-1800x810x20	PC	
Blueocean Antline	One Side Sawn & One Side Honed	1500x800x30	PC	
Blueocean	One Side Sawn & One Side Honed	1600-1800x810x30	PC	
Blueocean	One Side Sawn & One Side Honed	1600-1800x1000x30	PC	
Blueocean	One Side Sawn & One Side Honed	1600-1800x810x40	PC	
Blueocean	One Side Sawn & One Side Honed	1600-1800x810x50	PC	
Blueocean	One Side Sawn & One Side Honed	1600-1800x810x60	PC	



Blueocean Sawn, P5



Blueocean Honed, P3



Antline Sawn, P5

## Marble

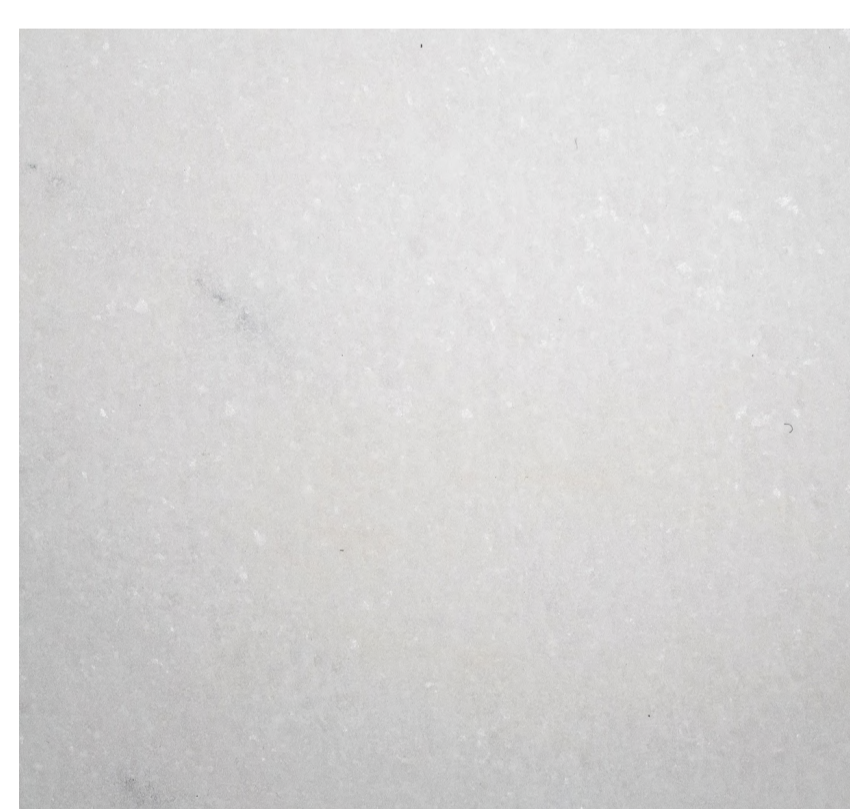
Color	Finish	Dimension (mm)	UoM	Note
Silver Ash	One Side Sandblasted & One Side Honed	1200-1600x600x30	PC	
Antarctica White	One Side Sandblasted & One Side Honed	1500x600x30	PC	
Grey Apricot	One Side Sandblasted & One Side Honed	1500x800x30	PC	
Frozen Blue	Sandblasted	1600x600x30	PC	
Frozen Blue	Sandblasted	2000x600x30	PC	



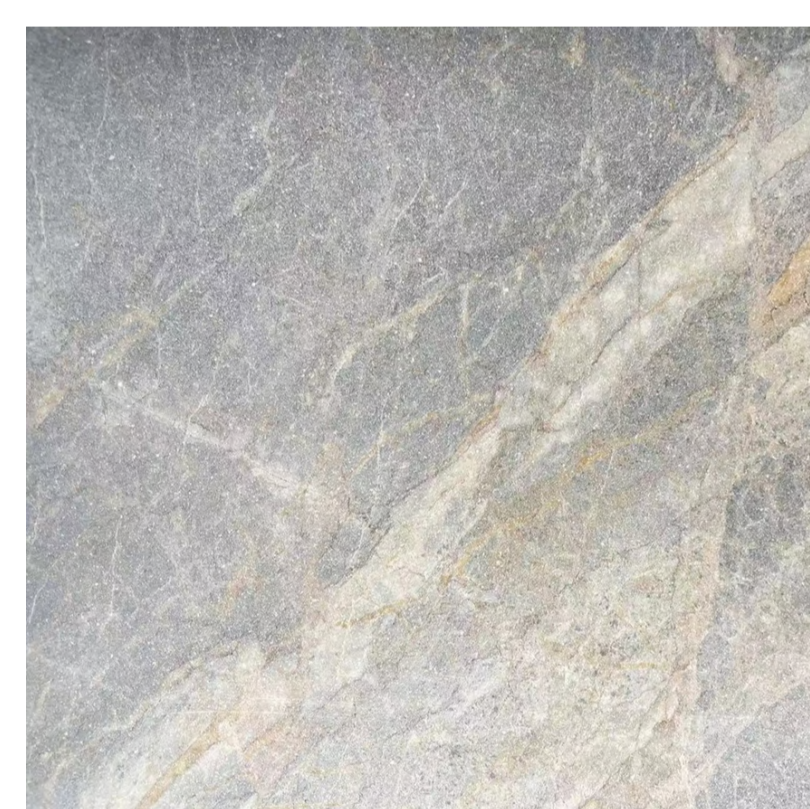
Frozen Blue



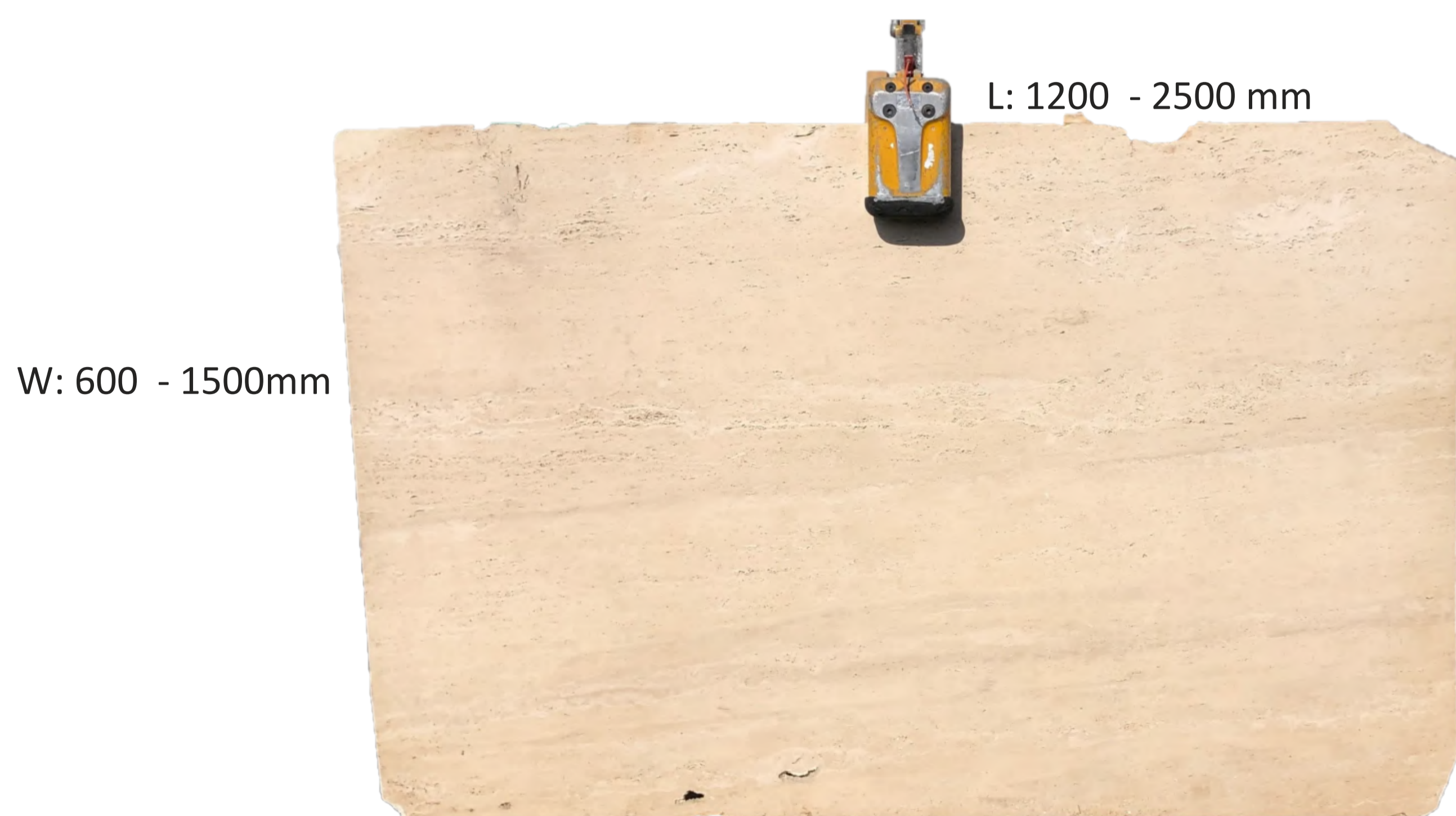
Grey Apricot



Antarctica White



Silver Ash



Slab Example

## Slab Series Cont.

### Granite

Color	Finish	Dimension (mm)	UoM	Note
Angola Black	One Side Flamed & One Side Honed	2200x1000x30	PC	
Zen Grey	One Side Flamed & One Side Honed	2400x1400x30	PC	



Angola Black Flamed



Angola Black Honed



Zen Grey Flamed



Zen Grey Honed

### Limestone

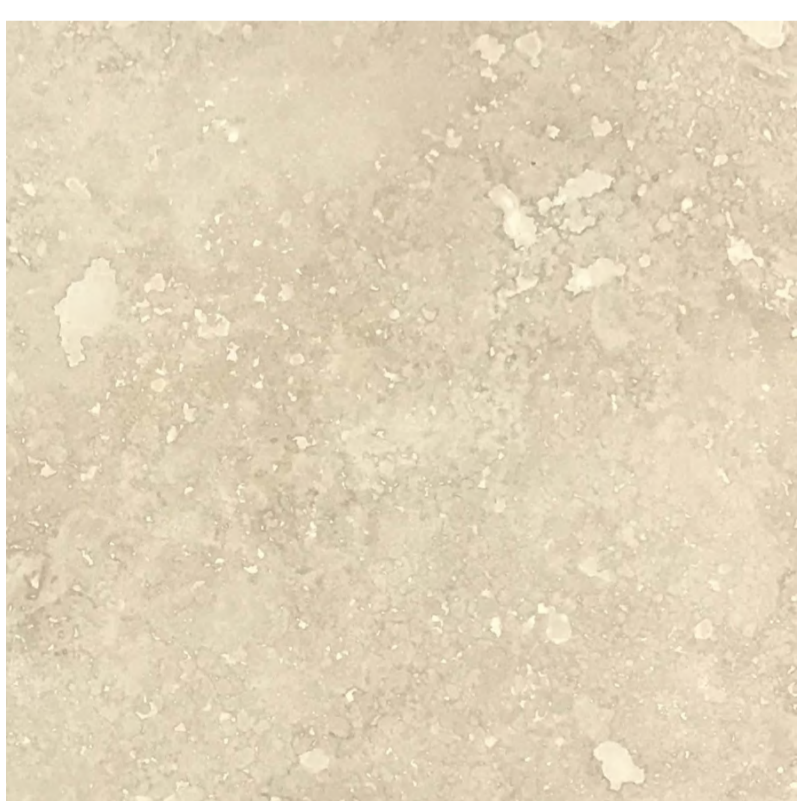
Color	Finish	Dimension (mm)	UoM	Note
Belgium Blue	One Side Sandblasted & One Side Honed	1000-1600x600x30	PC	
Belgium Blue	One Side Sandblasted & One Side Honed	1500x800x30	PC	



Belgium Blue Sandblasted

### Travertine

Color	Finish	Dimension (mm)	UoM	Note
Classic	Honed & Filled	2500x750x30	PC	
Classic	Honed & Filled	2500x1500x30	PC	



Classic Honed & Filled

## Cobble Series

### Bluestone

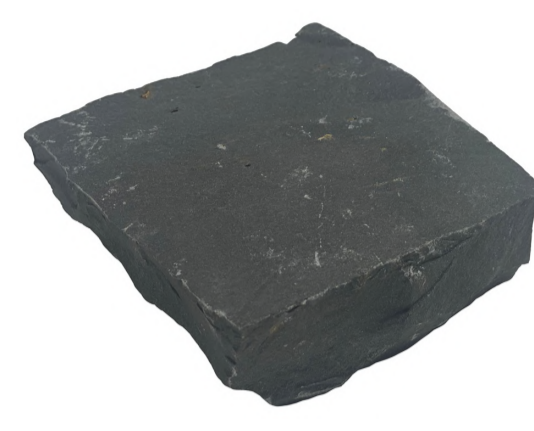
Color	Finish	Dimension (mm)	UoM	kg/UoM	UoM/pallet	kg/pallet	Note
Blueocean	Sawn	650x430x20 per sheet	SQM	54	19.57	1100	100x100 cobbles on mesh, While Stock Last
Blueocean Antline	Tumbled	100x100x30	SQM	81	15.00	1300	Individual pieces, Antline tumbled
Blueocean	All Sides Rockface	100x100x30-40	SQM	108	10.00	1100	Individual pieces, cobble dark



Blueocean Sawn Cobble on Mesh, P5



Antline Tumbled, P5



Blueocean Rockface, P5

### Marble

Color	Finish	Dimension (mm)	UoM	kg/UoM	UoM/pallet	kg/pallet	Note
Frozen Blue	Tumbled & Sandblasted	100x100x20	SQM	54	18.00	1000	
Silver Ash	Tumbled & Sandblasted	100x100x20	SQM	54	18.00	1000	



Frozen Blue, P5



Silver Ash, P5

### Granite

Color	Finish	Dimension (mm)	UoM	kg/UoM	UoM/pallet	kg/pallet	Note
Ash Grey	Flamed	540x490x20	SQM	54	29.77	1700	90x90 cobbles on mesh. Top flamed, 4 sides split, bottom sawn and glued to mesh.



Ash Grey Cobbles on Mesh, P5

### Limestone

Color	Finish	Dimension (mm)	UoM	kg/UoM	UoM/pallet	kg/pallet	Note
Belgium Blue	Tumbled & Sandblasted	100x100x20	SQM	54	18.00	1000	
Belgium Blue	Tumbled & Sandblasted	200x100x30	SQM	81	12.30	1000	While Stock Last



Belgium Blue 100x100x20, P5



Belgium Blue 200x100x30, P5

# Crazy Paving Series

## Bluestone

Color	Finish	Dimension (mm)	UoM	kg/UoM	UoM/pallet	kg/pallet	Note
Blueocean	Honed	Random Shapex20	SQM	54	25.00	1400	1 m2 per layer
Blueocean	Sawn	Random Shapex20	SQM	54	25.00	1400	1 m2 per layer
Blueocean Antline	Sawn	Random Shapex30	SQM	54	20.00	1100	Clearance



Blueocean Sawn, P5



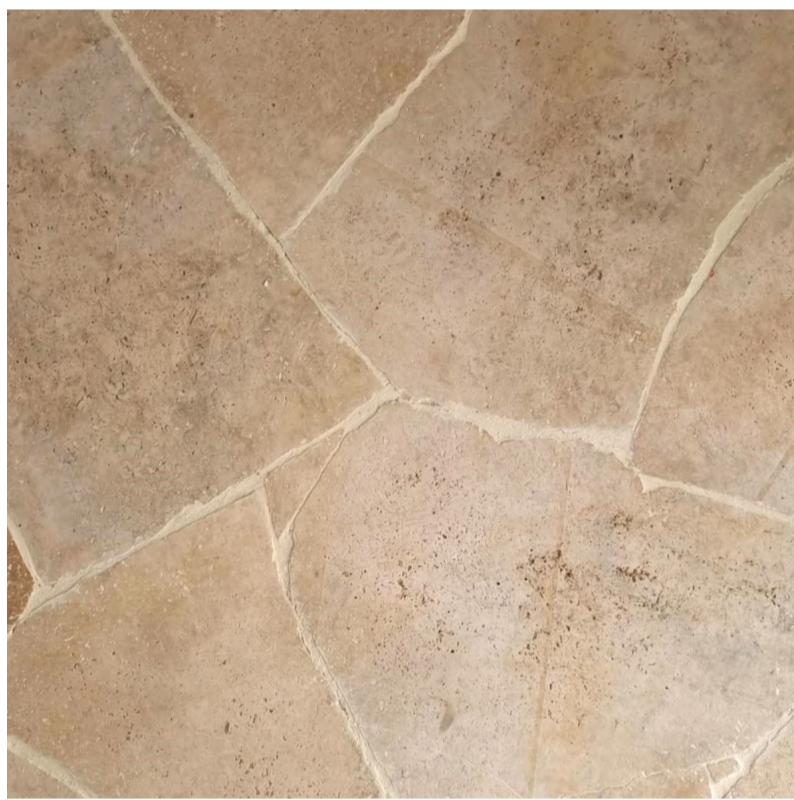
Blueocean Honed, P3



Antline Sawn, P5

## Travertine

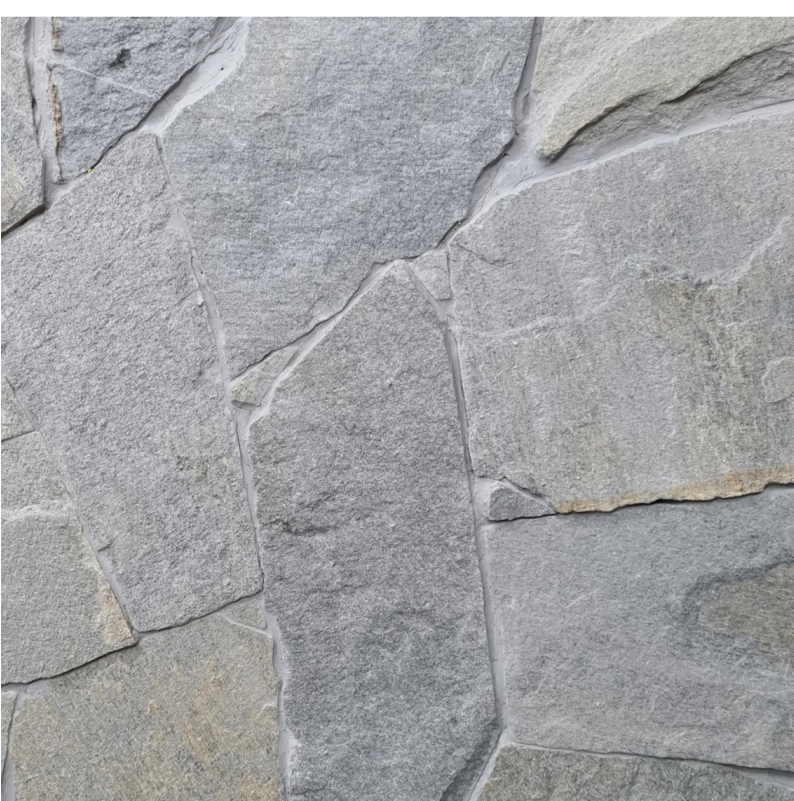
Color	Finish	Dimension (mm)	UoM	kg/UoM	UoM/pallet	kg/pallet	Note
Beige	Unfilled	Random Shapex20	SQM	54	22.00	1200	



Beige Travertine , P4

## Quartz

Color	Finish	Dimension (mm)	UoM	kg/UoM	UoM/pallet	kg/pallet	Note
Stormy Grey	Brushed	Random Shapex20	SQM	54	25.00	1400	Crazy Paving



Stormy Grey, P5

## Organic Stepper Series

### Bluestone Sawn

Color	Finish	Dimension (mm)	UoM	kg/UoM	UoM/pallet	kg/pallet	Note
Blueocean	Sawn	500-700x20	PC	20	50.00	1000	
Blueocean	Sawn	300-500x30	PC	13	66.00	900	
Blueocean	Sawn	500-700x30	PC	30	34.00	1100	
Blueocean	Sawn	700-900x30	PC	53	34.00	1900	



Blueocean Stepper Sawn, P5

### Bluestone Honed

Color	Finish	Dimension (mm)	UoM	kg/UoM	UoM/pallet	kg/pallet	Note
Blueocean	Honed	500-700x30	PC	30	34.00	1100	



Blueocean Stepper Honed, P3

### Bluestone: Honey Comb

Color	Finish	Dimension (mm)	UoM	kg/UoM	UoM/pallet	kg/pallet	Note
Honey Comb	One Side Sawn & One Side Honed	Radius 150x30	PC	5	125.00	700	Clearance
Honey Comb	One Side Sawn & One Side Honed	Radius 250x30	PC	15	100.00	1500	Clearance
Honey Comb	One Side Sawn & One Side Honed	Radius 200x30	PC	10	100.00	1000	Clearance



Honey Comb Stepper, P5

## Wall Cladding Series

### Bluestone

Color	Finish	Dimension (mm)	UoM	kg/UoM	UoM/pallet	kg/pallet	Note
Blueocean	All Sides Rockface	Crazy Claddingx20-40	SQM	81	15.00	1300	While Stock Last
Blueocean	Rockface	600/400/200x200x20-45	SQM	54	15.08	900	Mix sizes
Blueocean	Rockface	200x200x20/100	PC	10	200.00	2000	Corner return100mm
Blueocean	Ripple	600x300x20	SQM	54	21.06	1200	



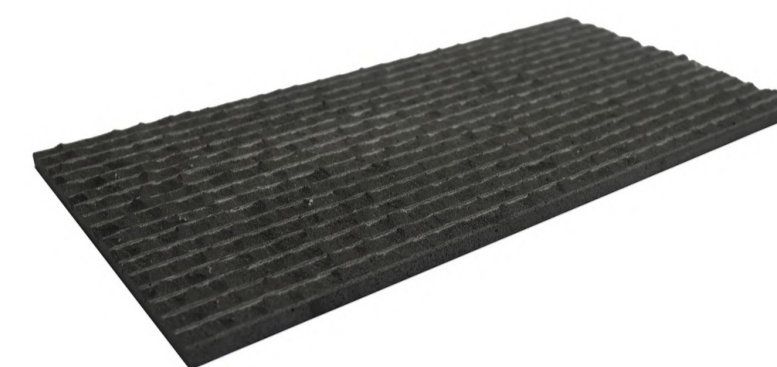
Rockface  
Crazy Cladding



Rockface



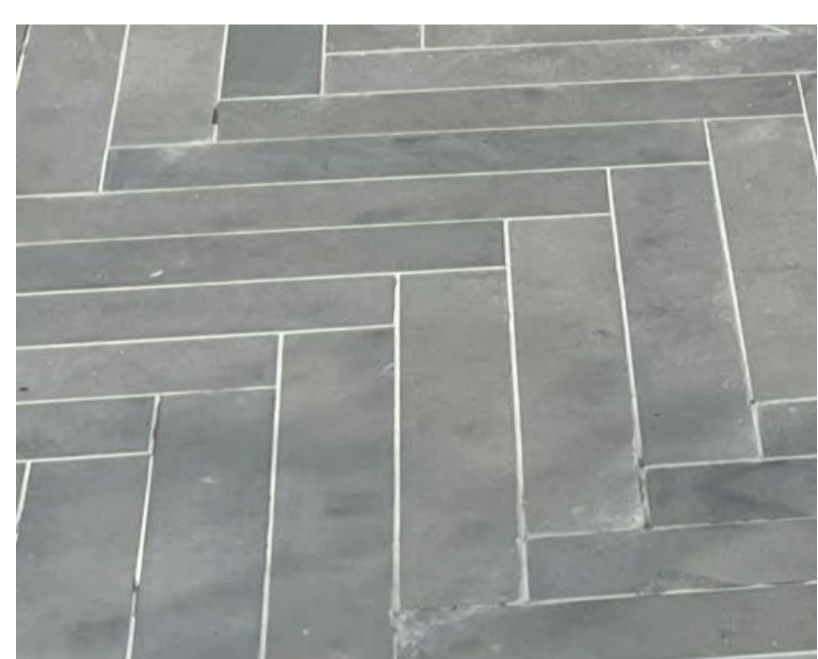
Rockface  
Corner Return



Ripple

### Herringbone Pattern

Stone	Color	Finish	Dimension (mm)	UoM	kg/UoM	UoM/pallet	kg/pallet	Note
Marble	Grey Apricot	Honed	300x75x12	SQM	32	25.00	800	
Bluestone	Blueocean	Honed	300x100x20	SQM	54	25.00	1400	
Marble	Grey Apricot	Sandblasted	300x100x20	SQM	54	25.00	1400	
Bluestone	Blueocean	Sawn	300x100x20	SQM	54	25.00	1400	



### 12mm & 15mm Thick Tiles

Stone	Color	Finish	Dimension (mm)	UoM	kg/UoM	UoM/pallet	kg/pallet	Note
Bluestone	Blueocean	Sawn	600x300x12	SQM	32	29.88	1000	
Bluestone	Blueocean	Sawn	800x400x15	SQM	32	20.80	700	While Stock Last
Bluestone	Blueocean	Honed	600x300x12	SQM	32	29.88	1000	
Bluestone	Blueocean	Honed	600x600x12	SQM	32	29.88	1000	
Bluestone	Blueocean	Honed	800x400x12	SQM	32	25.60	900	While Stock Last
Bluestone	Blueocean	Honed	800x400x15	SQM	32	20.80	700	While Stock Last
Travertine	Classic	Tumbled & Unfilled	610x406x12	SQM	32	39.63	1300	
Travertine	Classic	Tumbled & Unfilled	610x610x12	SQM	32	39.63	1300	
Travertine	Classic	Honed & Filled	610x305x12	SQM	32	29.77	1000	
Travertine	Classic	Honed & Filled	610x610x12	SQM	32	29.77	1000	While Stock Last
Travertine	Beige	Tumbled & Unfilled	610x406x12	SQM	32	39.63	1300	
Travertine	Beige	Tumbled & Unfilled	610x406 / 406x406 / 406x203 / 203x203x12	SQM	32	38.66	1300	Sold by set, 0.744m2/set Installation guide available



## Pattern Series

\* Please see installation guide next page

### Herringbone



Stone	Color	Finish	Dimension (mm)	UoM	kg/UoM	UoM/pallet	kg/pallet	Note
Bluestone	Blueocean	Honed	300x100x20	SQM	54	25.00	1400	
Bluestone	Blueocean	Sawn	300x100x20	SQM	54	25.00	1400	
Marble	Grey Apricot	Honed	300x75x12	SQM	32	25.00	800	
Marble	Grey Apricot	Sandblasted	300x100x20	SQM	54	25.00	1400	

### Bluestone Ashlar Pattern 900 Series 20mm Thick



Color	Finish	Dimension (mm)	UoM	kg/UoM	UoM/pallet	kg/pallet	Note
Blueocean	Sawn	595x595 / 895x595 / 595x295 / 292x295x20	SQM	54	25.44	1400	Ashlar Pattern, sold by m2
Blueocean	Honed	595x595 / 895x595 / 595x295 / 292x295x20	SQM	54	25.44	1400	Ashlar Pattern, sold by m2, While Stock Last

### Bluestone Antline French Pattern 20mm Thick



Color	Finish	Dimension (mm)	UoM	kg/UoM	UoM/pallet	kg/pallet	Note
Blueocean Antline	Sawn	600x400 / 400x400 / 400x300x20	SQM	54	25.60	1400	Antline Pattern, Sold by m2

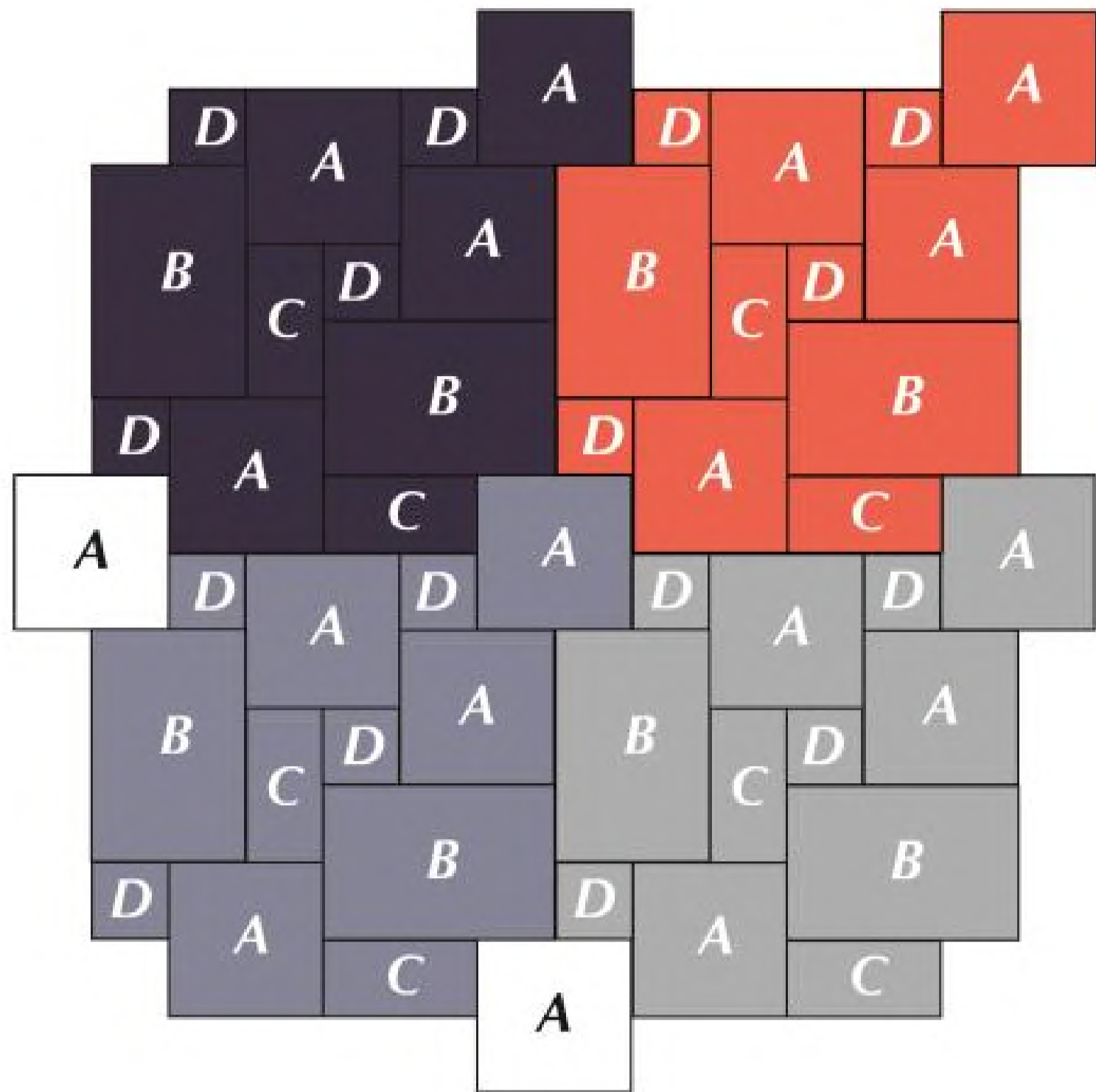
### Travertine French Pattern 12mm Thick



Color	Finish	Dimension (mm)	UoM	kg/UoM	UoM/pallet	kg/pallet	Note
Beige	Tumbled & Unfilled	610x406 / 406x406 / 406x203 / 203x203x12	SQM	32	38.66	1300	Sold by set, 0.744m2/set Installation guide available

# Pattern Series Installation Guide

## Bluestone Ashlar Pattern 900 Series 20mm Thick

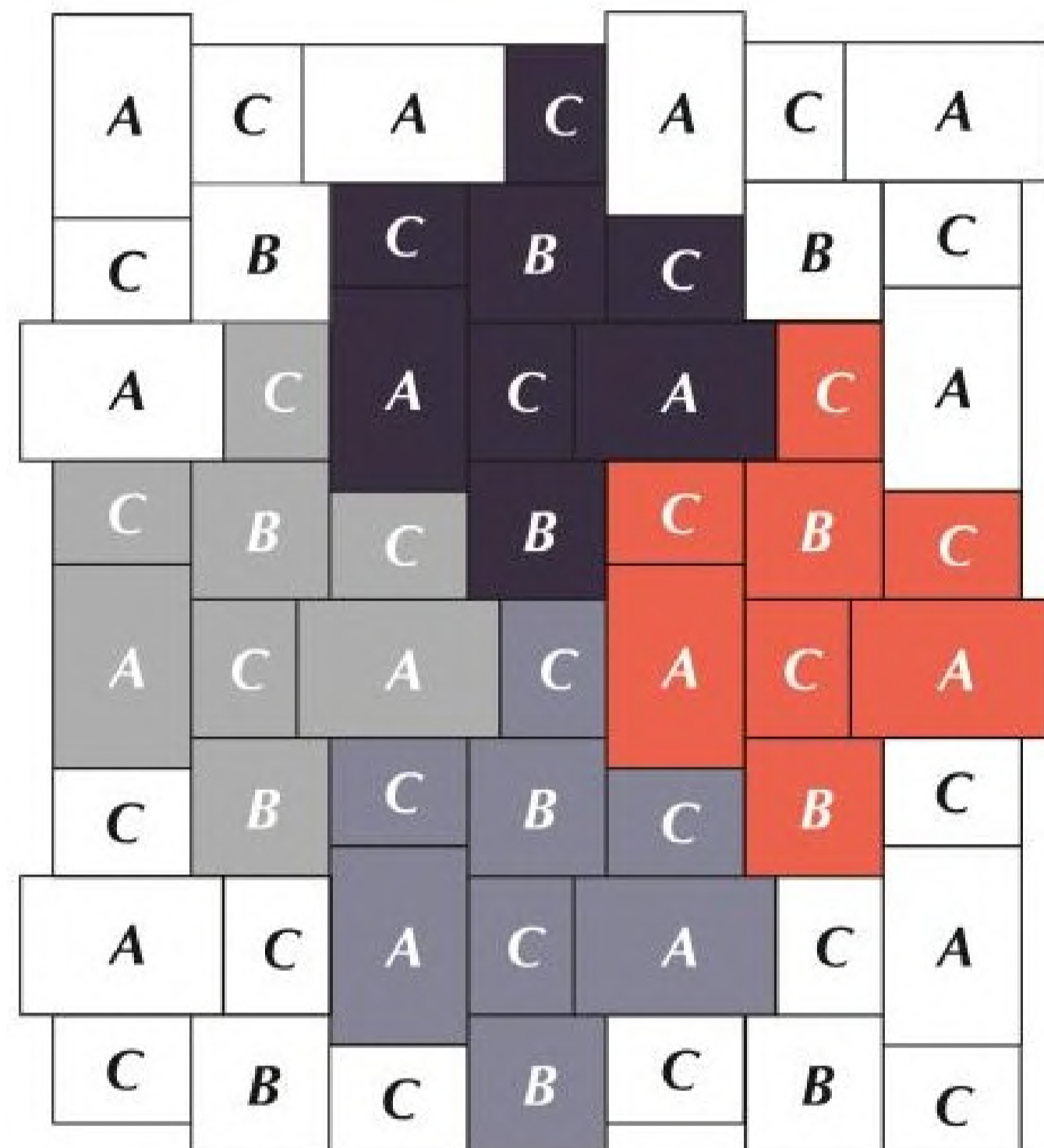


### Paving Size:

- A: 595 x 595 mm 4pcs/set
- B: 895 x 595 mm 2pcs/set
- C: 595 x 295 mm 2pcs/set
- D: 295 x 295 mm 4pcs/set

**3.18 SQM/set**

## Bluestone Antline French Pattern 20mm Thick

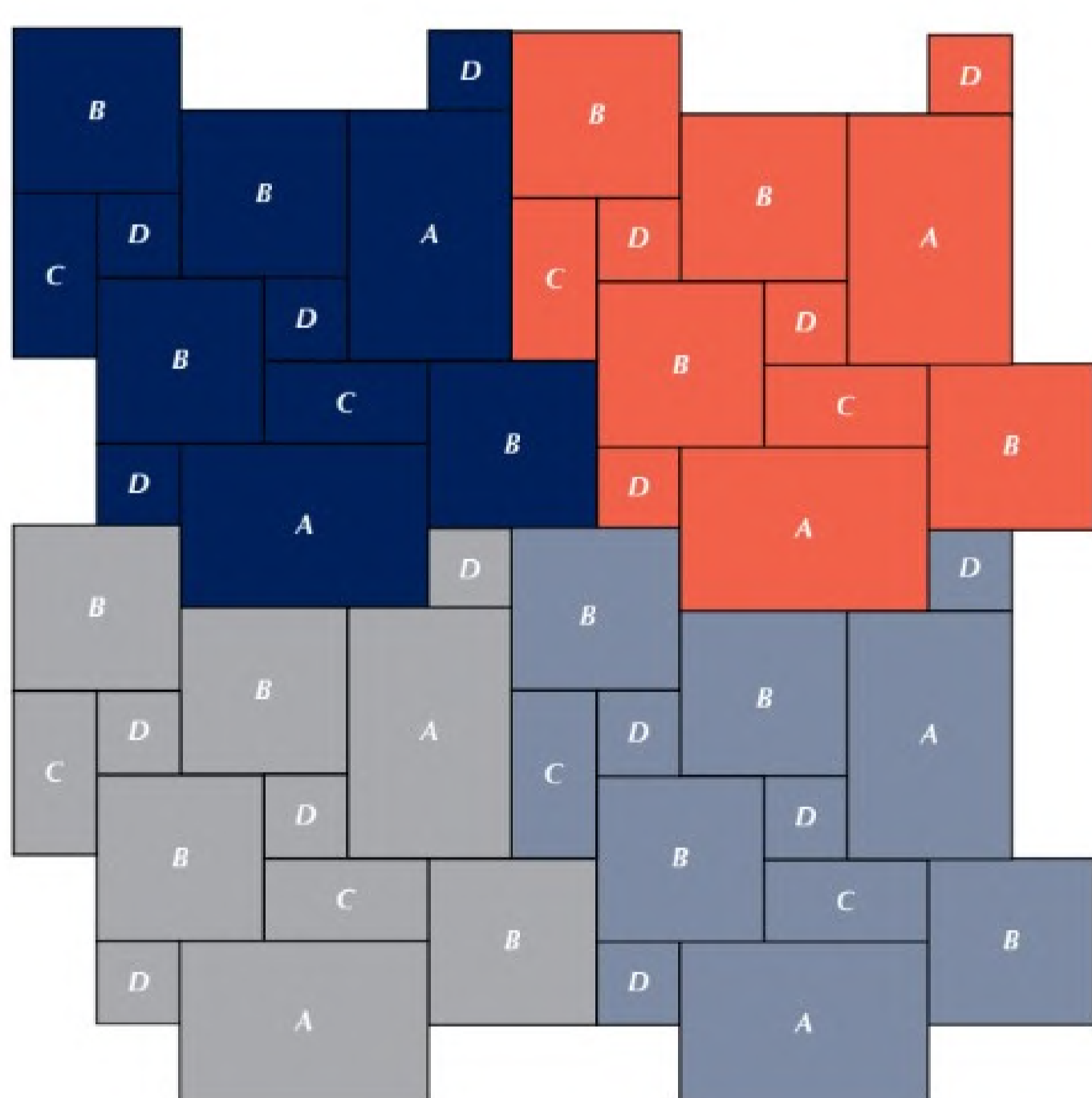


### Paving Size:

- A: 600 x 400 x 20 mm 2pcs/set
- B: 400 x 400 x 20 mm 2pcs/set
- C: 400 x 300 x 20 mm 4pcs/set

**1.28 SQM/set**

## Travertine French Pattern 12mm Thick



### Paving Size:

- A: 610 x 406 x 12 mm 1pcs/set
- B: 406 x 406 x 12 mm 2pcs/set
- C: 406 x 203 x 12 mm 1pcs/set
- D: 203 x 203 x 12 mm 2pcs/set

**0.744 SQM/set**



Thank you.

**WAREHOUSE**

5 Hamilton Street, Oakleigh,  
VIC 3166 Australia

**CONTACT**

1300 855 851  
[info@saistone.com.au](mailto:info@saistone.com.au)